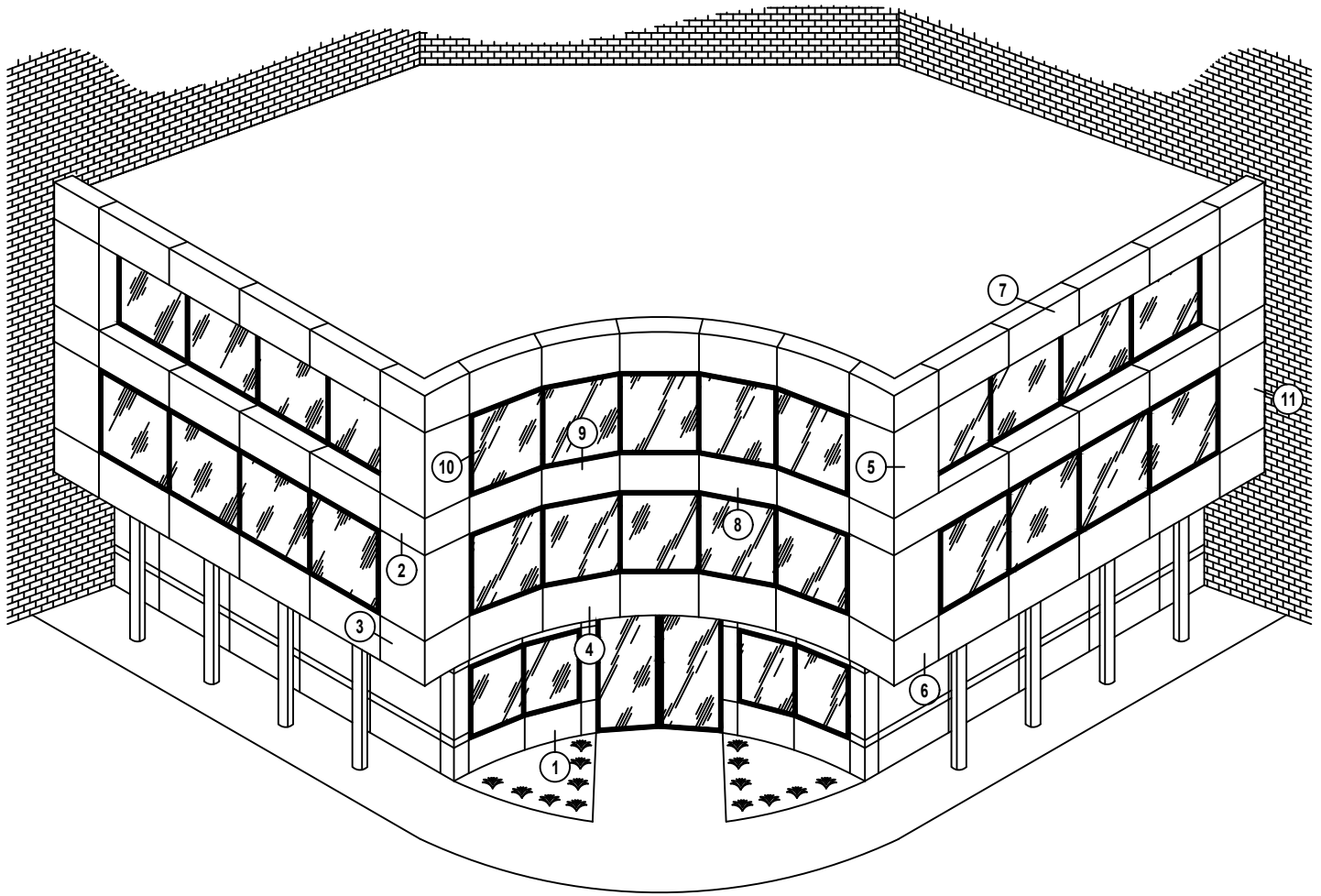


NOVATECH

TS110-CI EXPOSED FASTENER PHENOLIC RAINSCREEN SYSTEM WITH MINERAL WOOL

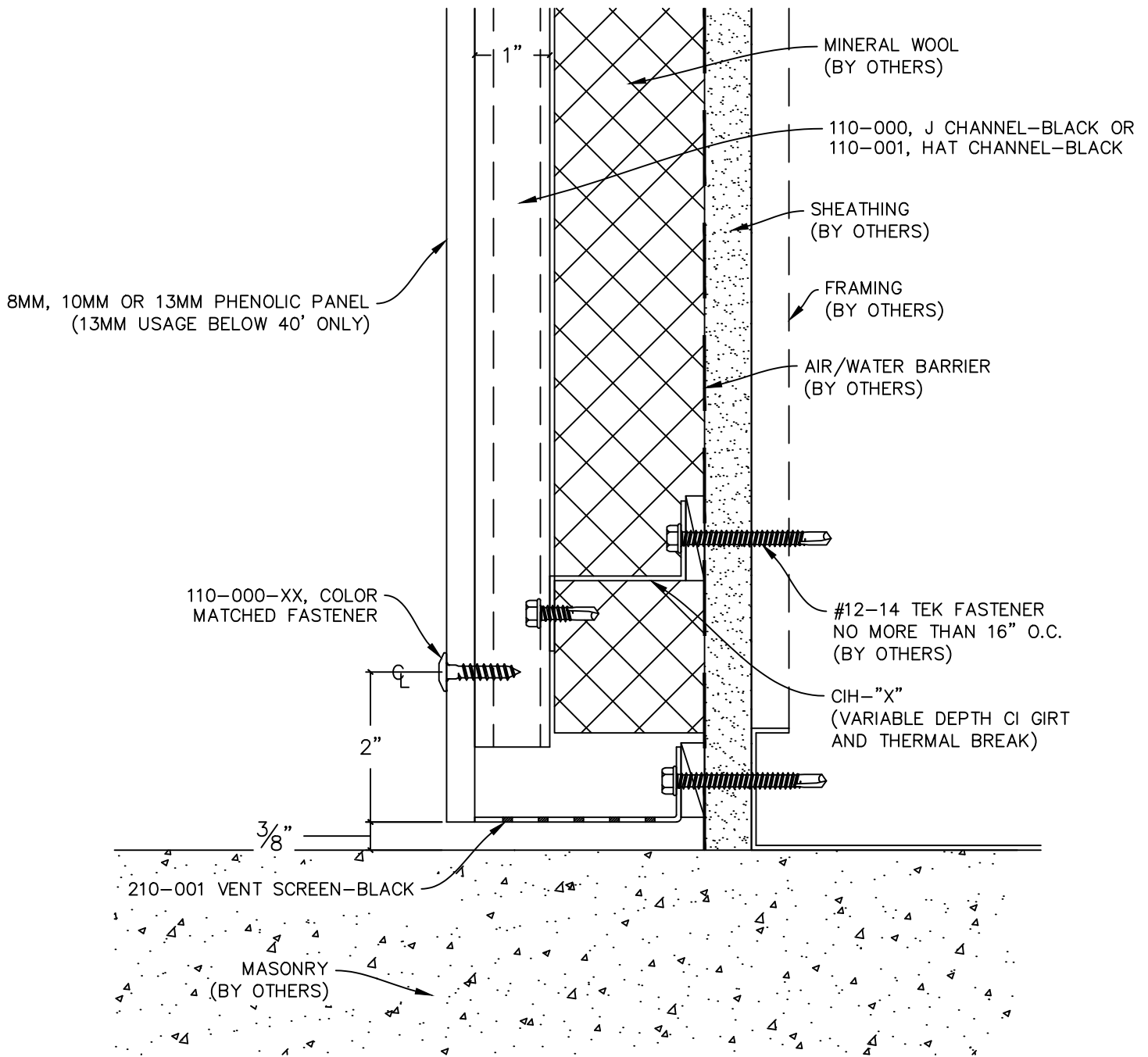


NOVATECH WALL SYSTEMS

390 OLD SPARTANBURG HIGHWAY, WELLFORD, SC 29385
PHONE: 844-815-1038 — WEBSITE: WWW.NOVATECHWS.COM

REVISED 10/2020

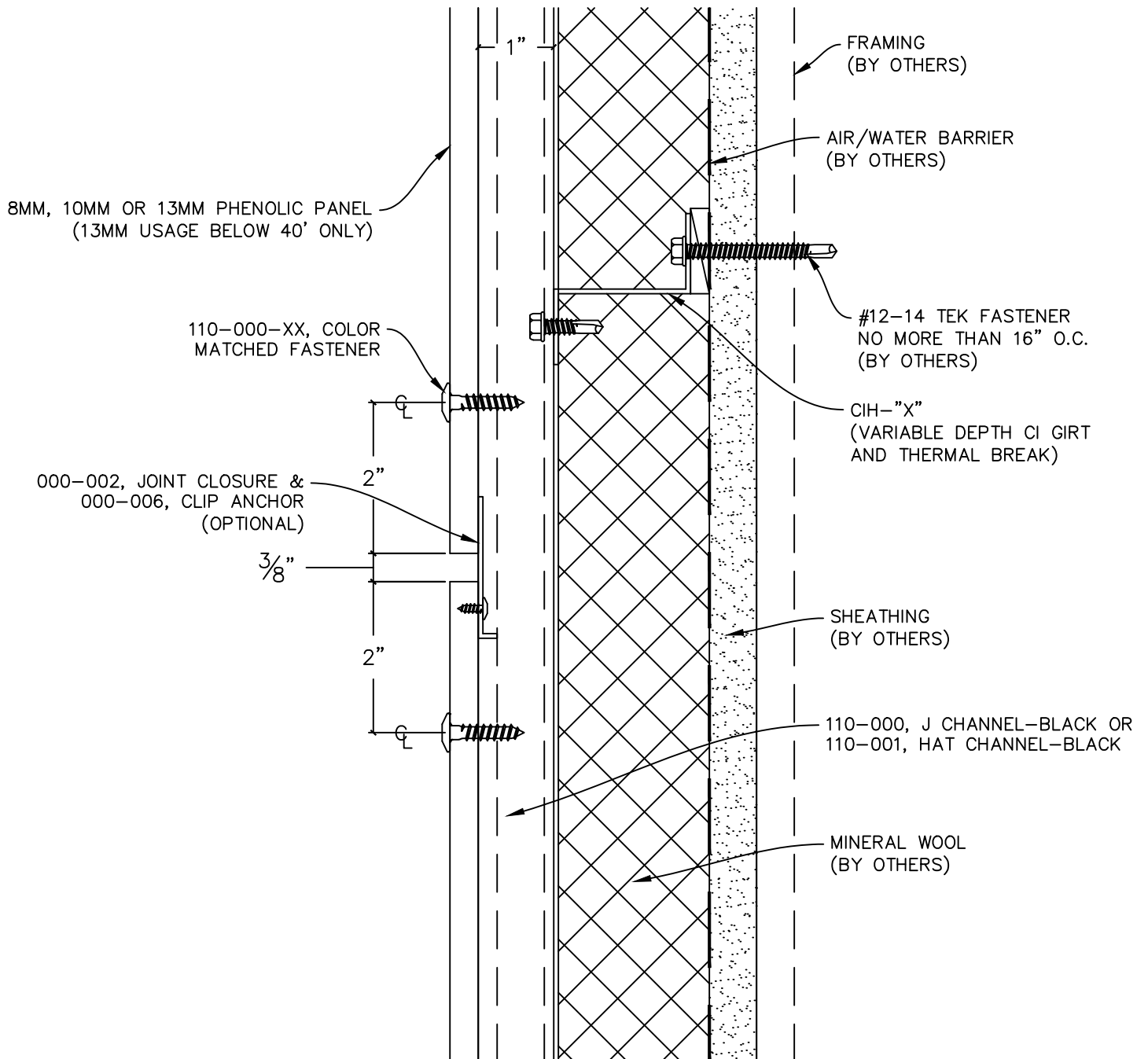
TS110-CI PHENOLIC EXPOSED FASTENER ATTACHMENT SYSTEM



1 **BASE TERMINATION**
SCALE: 6" = 1'-0"

DETAILS ARE FOR VISUAL REPRESENTATION ONLY. NOT TO BE USED FOR CONSTRUCTION

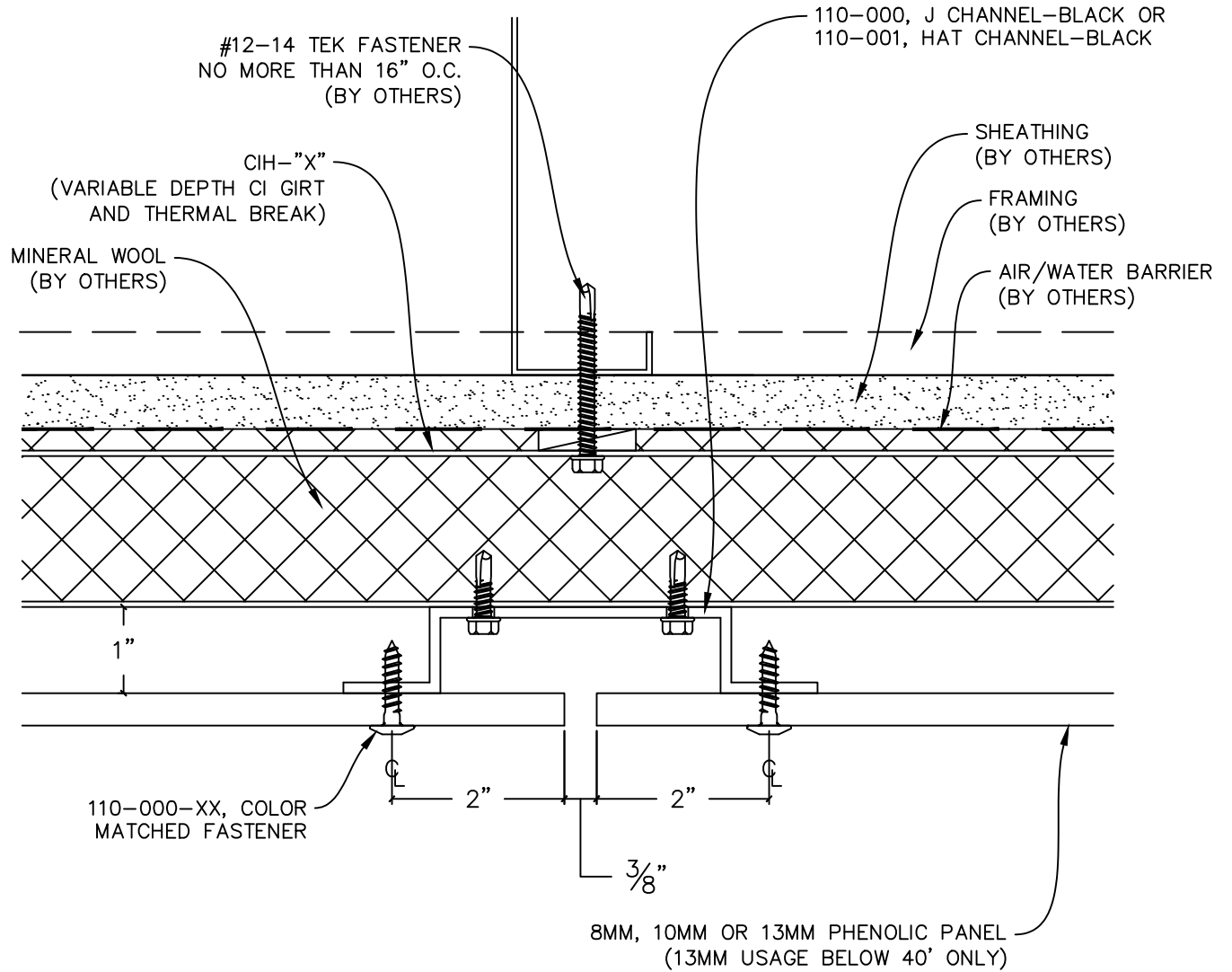
TS110-CI PHENOLIC EXPOSED FASTENER ATTACHMENT SYSTEM



2 TYP. HORIZONTAL JOINT
SCALE: 6" = 1'-0"

DETAILS ARE FOR VISUAL REPRESENTATION ONLY. NOT TO BE USED FOR CONSTRUCTION

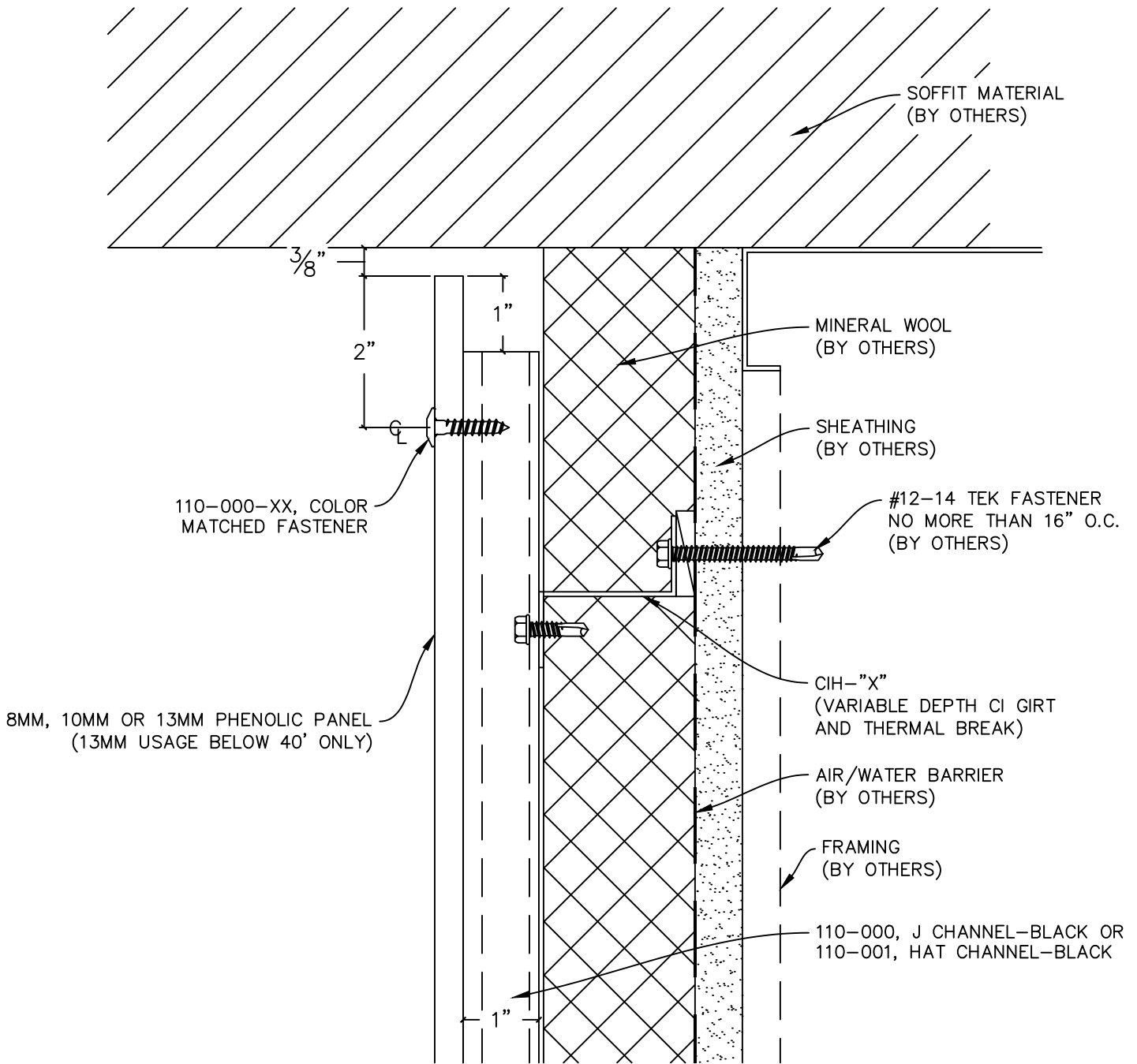
TS110-CI PHENOLIC EXPOSED FASTENER ATTACHMENT SYSTEM



3 TYP. VERTICAL JOINT
SCALE: 6" = 1'-0"

DETAILS ARE FOR VISUAL REPRESENTATION ONLY. NOT TO BE USED FOR CONSTRUCTION

TS110-CI PHENOLIC EXPOSED FASTENER ATTACHMENT SYSTEM

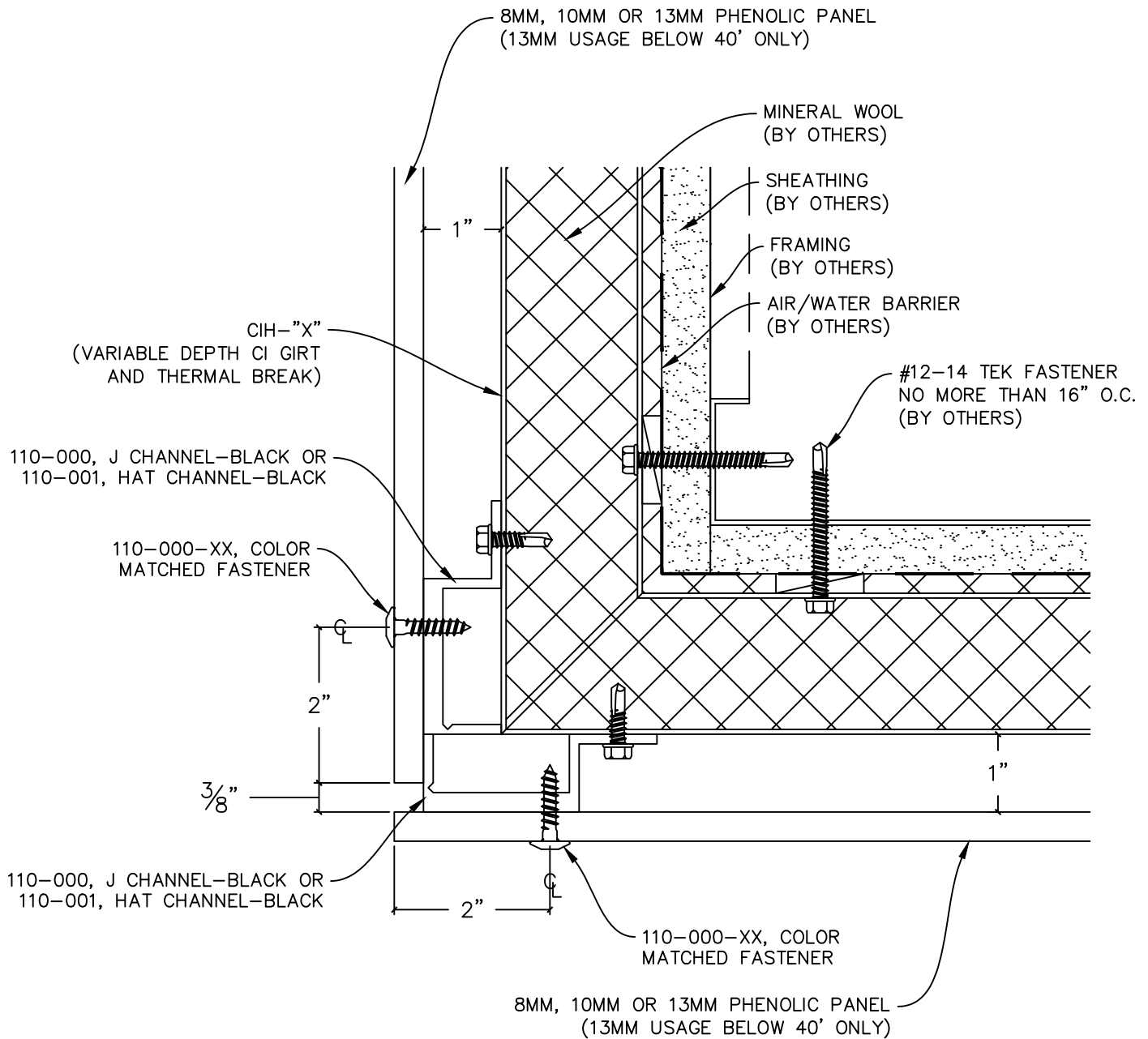


4 SOFFIT TERMINATION

SCALE: 6" = 1'-0"

DETAILS ARE FOR VISUAL REPRESENTATION ONLY. NOT TO BE USED FOR CONSTRUCTION

TS110-CI PHENOLIC EXPOSED FASTENER ATTACHMENT SYSTEM

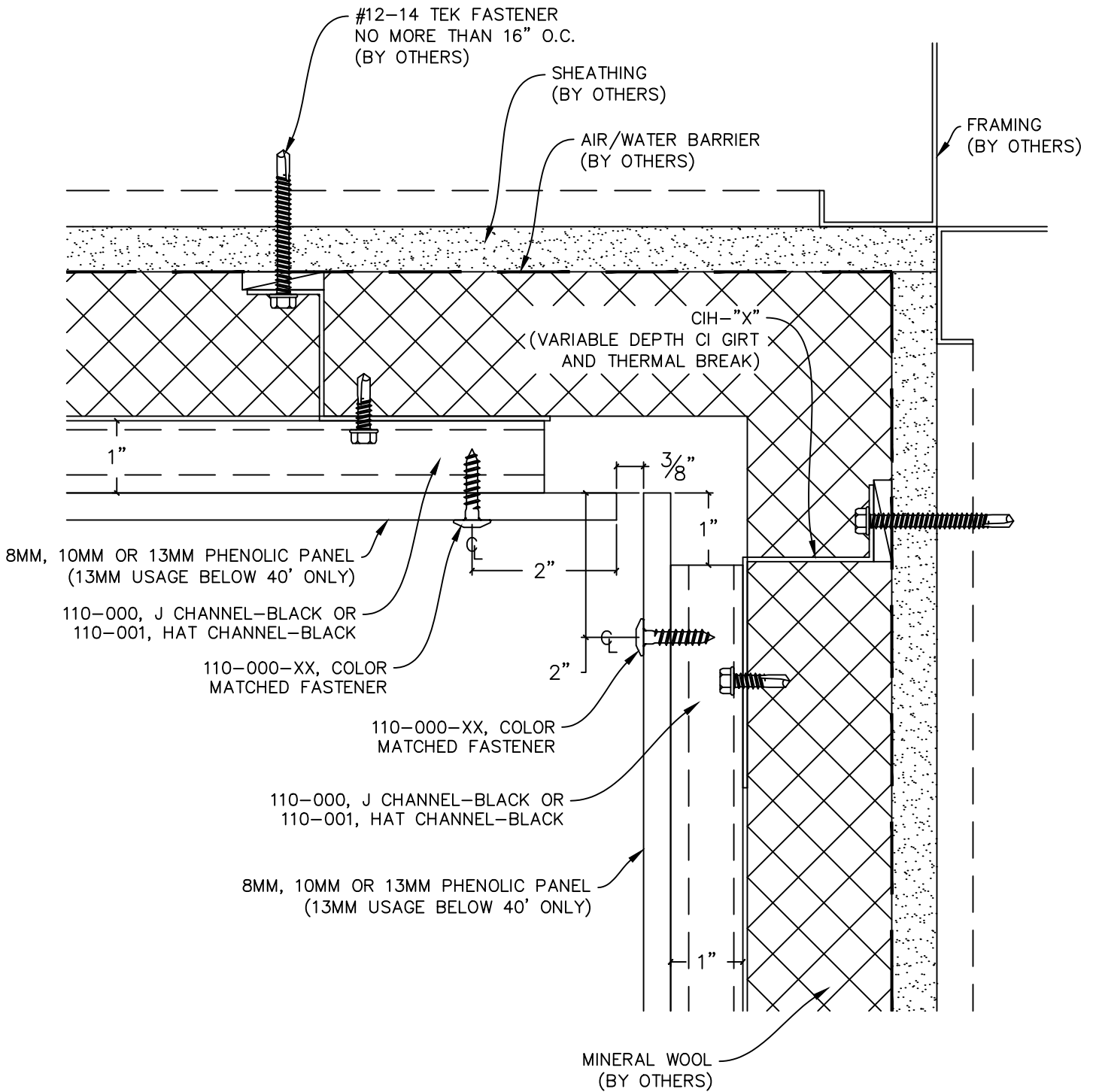


5 OUTSIDE CORNER

SCALE: 6" = 1'-0"

DETAILS ARE FOR VISUAL REPRESENTATION ONLY. NOT TO BE USED FOR CONSTRUCTION

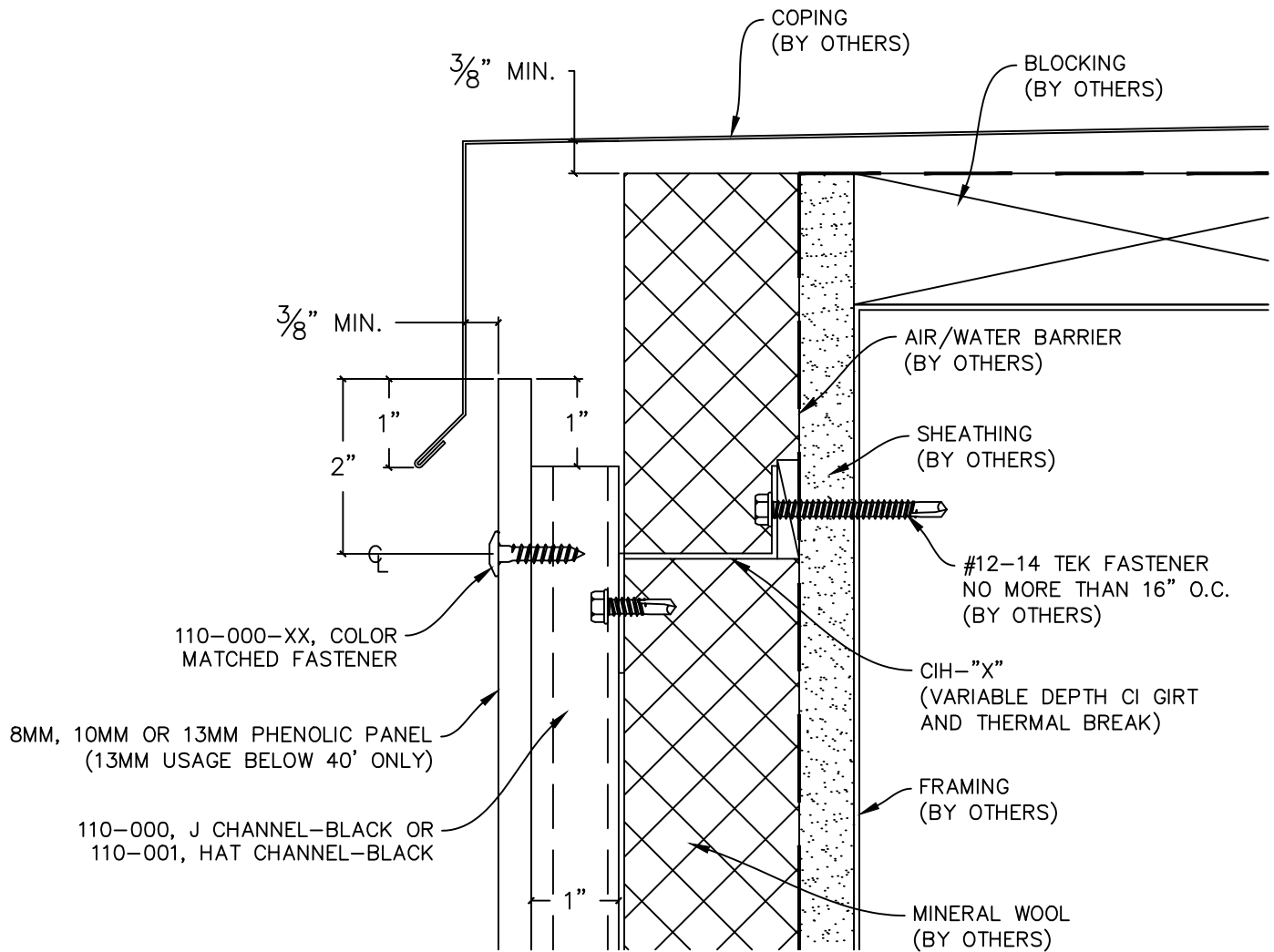
TS110-CI PHENOLIC EXPOSED FASTENER ATTACHMENT SYSTEM



6 SOFFIT TRANSITION
SCALE: 6" = 1'-0"

DETAILS ARE FOR VISUAL REPRESENTATION ONLY. NOT TO BE USED FOR CONSTRUCTION

TS110-CI PHENOLIC EXPOSED FASTENER ATTACHMENT SYSTEM



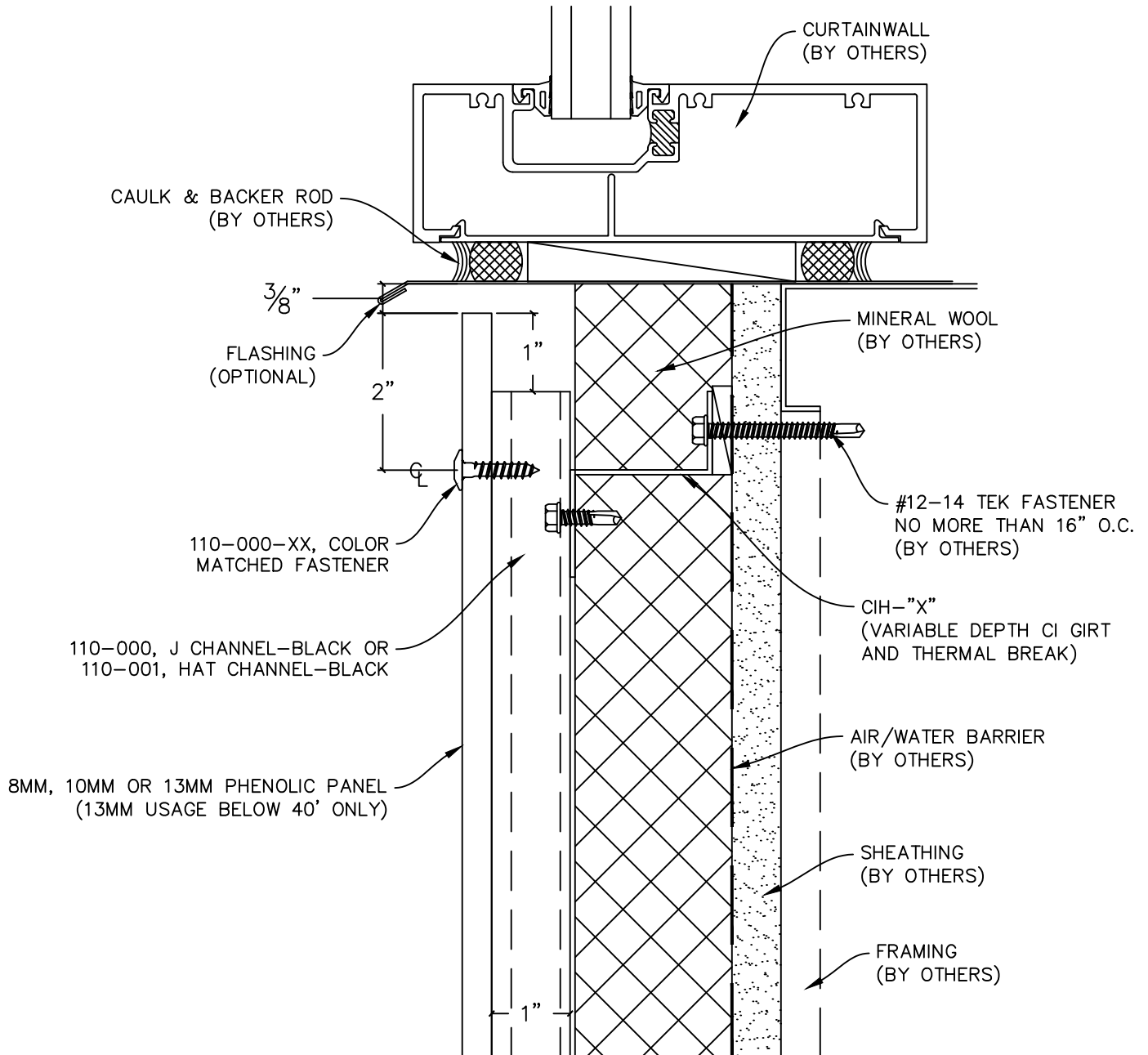
7

PARAPET TERMINATION

SCALE: 6" = 1'-0"

DETAILS ARE FOR VISUAL REPRESENTATION ONLY. NOT TO BE USED FOR CONSTRUCTION

TS110-CI PHENOLIC EXPOSED FASTENER ATTACHMENT SYSTEM



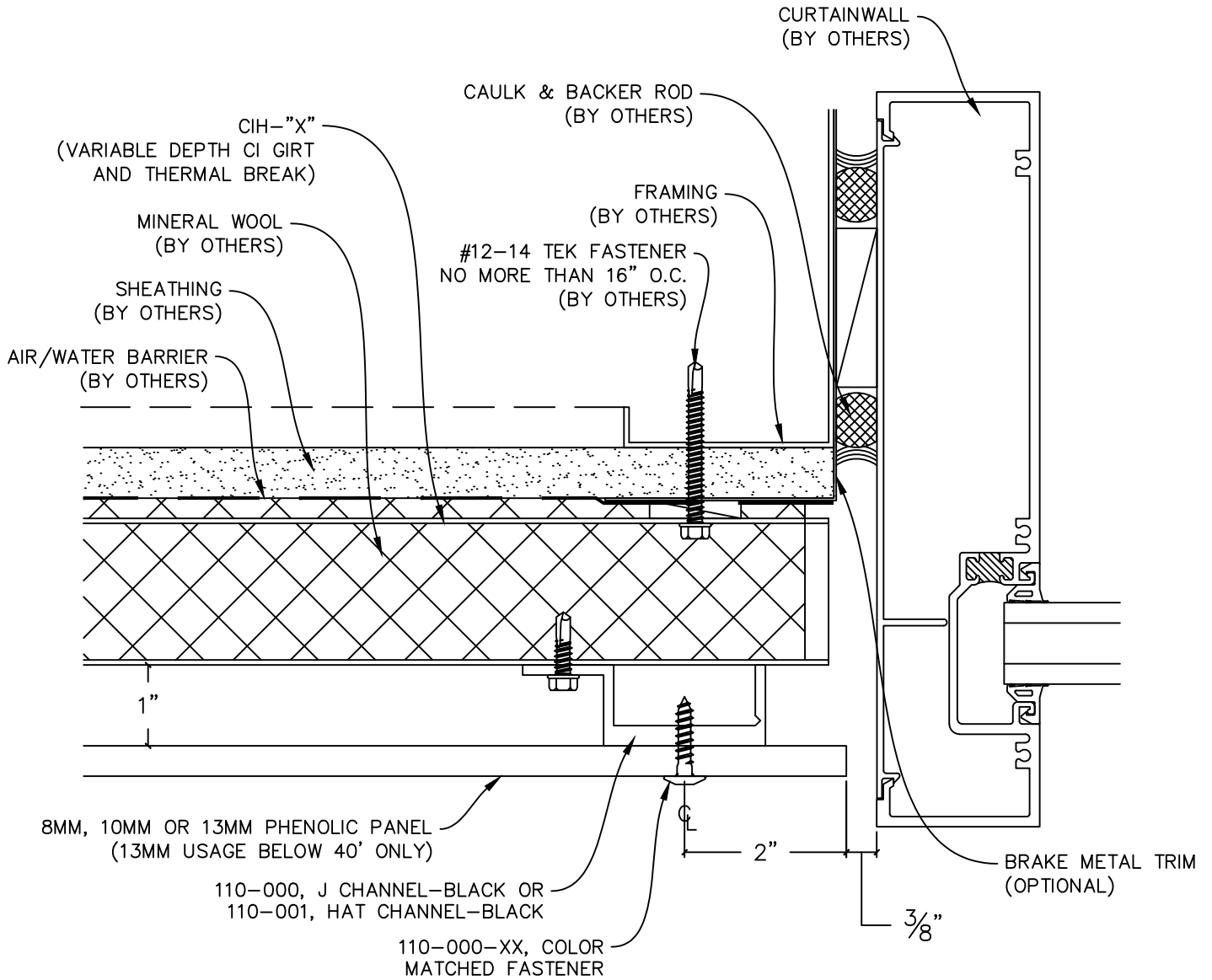
9

WINDOW SILL TERMINATION

SCALE: 6" = 1'-0"

DETAILS ARE FOR VISUAL REPRESENTATION ONLY. NOT TO BE USED FOR CONSTRUCTION

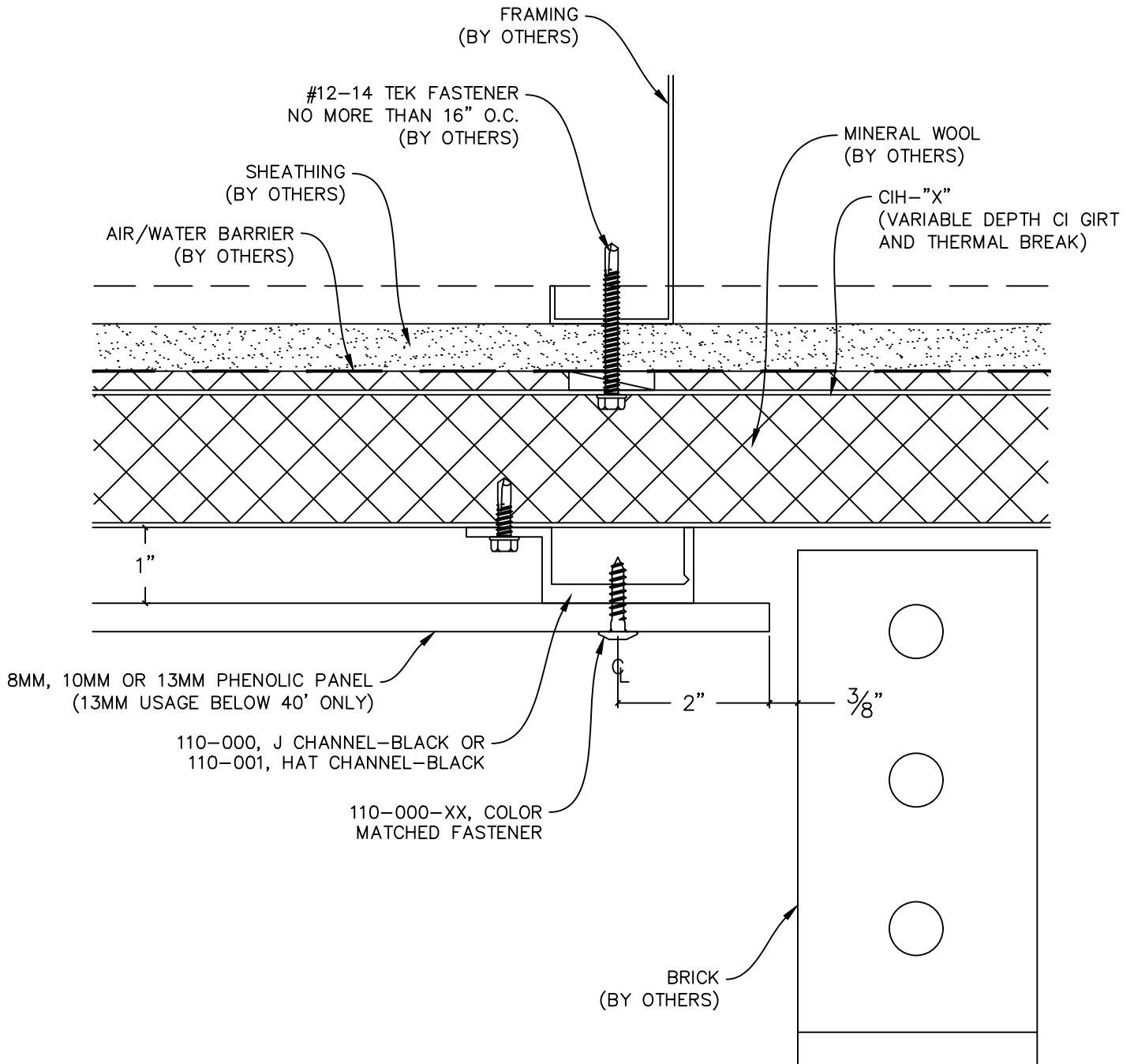
TS110-CI PHENOLIC EXPOSED FASTENER ATTACHMENT SYSTEM



10 WINDOW JAMB TERMINATION
SCALE: 6" = 1'-0"

DETAILS ARE FOR VISUAL REPRESENTATION ONLY. NOT TO BE USED FOR CONSTRUCTION

TS110-CI PHENOLIC EXPOSED FASTENER ATTACHMENT SYSTEM



11 VERTICAL TERMINATION @ BRICK
SCALE: 6" = 1'-0"

DETAILS ARE FOR VISUAL REPRESENTATION ONLY. NOT TO BE USED FOR CONSTRUCTION